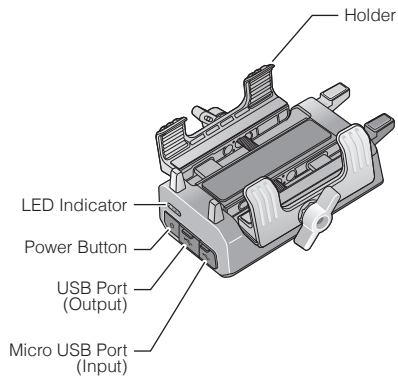
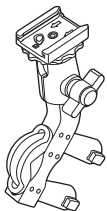


# Sena PowerPro Mount Quick Start Guide



[PowerPro Mount]

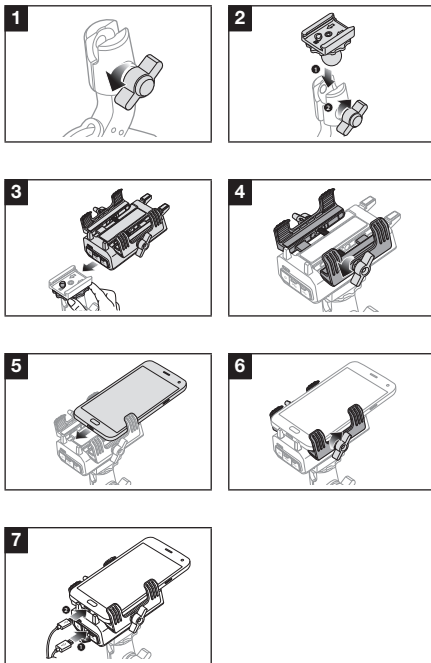


[Handlebar Mount]

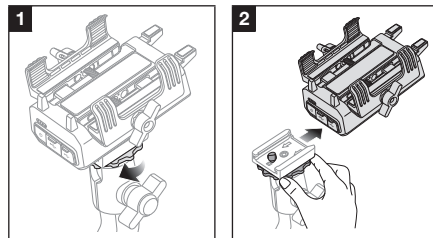


[USB Power Cable]

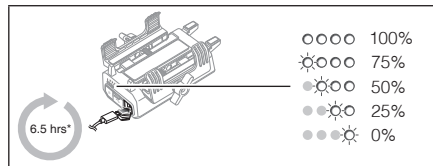
## Installation



## Release



## Charging

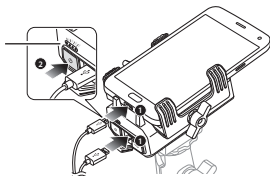


### Note:

\* It takes 6.5 hours to fully charge the PowerPro Mount when using standard USB cable.

## Using the PowerPro Mount

- 100%
- 75%
- 50%
- 25%



### Note:

- To begin charging, press the Power Button after you connect the USB power cable.
- To find out the battery level during use, tap the Power Button. The LED indicator will light up to show the Remaining battery level.
- Sena PowerPro Mount is compatible with 5V input USB-charged devices only.

## Safety Information

### Product Storage and Management

- Keep the product free of dust. It may damage mechanical and electronic parts of the product.
- Do not store the product in high temperatures as this may reduce the life span of electronic devices, damage the battery, and/or melt plastic parts of the product.
- Do not store the product in cold temperatures. Abrupt changes in temperatures may cause condensation and damage electronic circuits.

- Do not clean the product with cleaning solvents, toxic chemicals, or strong detergents as this may damage the product.
- Do not drop or otherwise shock the product. It may damage the product or its internal electronic circuits.
- Do not disassemble, repair or modify the product as this may damage the product and invalidate the product warranty.
- Do not store the product in humid environments, especially for long time storage.

### Product Use

- Do not cause impact to the product or touch it with sharp tools as this may damage the product.
- Do not use the product in high-temperatures or apply heat to the product as this may cause damage, explosion, or fire.
- Keep the product dry and away from water. It may damage the product.
- Keep product away from pets or small children. It may damage the product or cause accidents.
- Do not use the product near a microwave oven as this may cause malfunction or interference with the product.
- Do not use the product near hazardous explosives. When there are near any explosion hazards, unplug the USB cable and heed any regulations, instructions, and signs in the area.
- If the product is damaged, stop using it immediately. It may cause damage, explosion, or fire.

### Battery

Therefore, when using the product, make sure to adhere to the following:

- The battery performance may be reduced over time with usage.

- In recharging the battery, make sure to use an approved charger provided by the manufacturer. Use of a non-approved charger may cause fire, explosion, leakage, and other hazards may also reduce the life time or performance of the battery.
- Store the battery at temperatures of 15°C~25°C (59°F~77°F). Higher or lower temperatures may reduce the capacity and life of the battery, or may cause temporary non-operation. Do not use the product in sub-zero temperature, because it may cause serious reduction of the battery performance.
- If you apply heat to the battery or throw it into fire, it may explode.
- Never use a damaged charger. It may explode and/or cause accidents.

### Specifications

- Rating: 3.63V / 10000mAh
- Charging voltage: 5V
- Charging current: 2A
- End voltage: 5V
- Discharging current: 2000mA
- Battery Capacity: 10000mAh
- Input: 5V / 2A
- Output: 5V / 2A
- Operating temperature: 10 °C ~ 45 °C
- Weight: 249 g
- Size: 80.8 mm x 122 mm x 62.7 mm
- Charging time: 6.5 hours (given 2A adapter)
- Safety: Overcharging protection, over-discharging protection, temperature protection



Sena Technologies, Inc.  
www.sena.com  
Customer Support: support.sena.com  
E-mail: support@sena.com